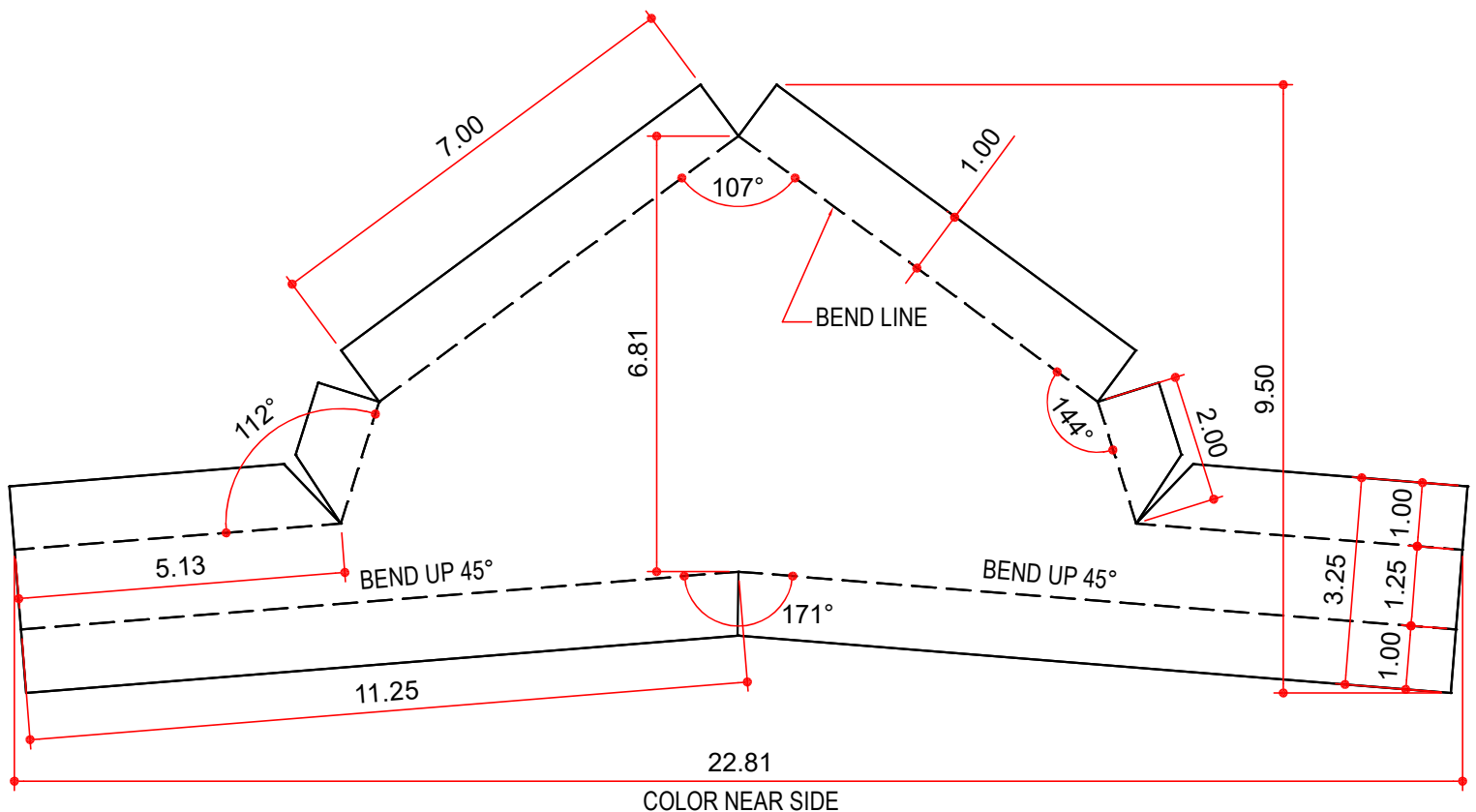


MASTER PART MARK	VIN	AVAILABLE THICKNESS	YIELD MIN.	BLANK LENGTH	BLANK WIDTH	WEIGHT (LBS)
VRPP01	A	26 GA	33 KSI	22.81	9.50	1.20

ALL BENDS DOWN 90° U.N.O



**NOTES:**

- 1) USE FOR SLOPES FROM 3/4:12 TO 1 1/2:12
- 2) VENTED RIDGE PEAK PLATE IS USED IN CONJUNCTION WITH THE PRESS BROKE RIDGE TRIM AND METAL PEAK BOXES.
- 3) SUPPLIED IN PW ONLY TO MATCH PRE-FABRICATED METAL PEAK BOXES.
- 4) DUE TO LOW USAGE, THIS PART IS TO BE MADE IN HOUSE IN LIEU OF BEING A BUYOUT.

**AVAILABLE COLORS**

PW