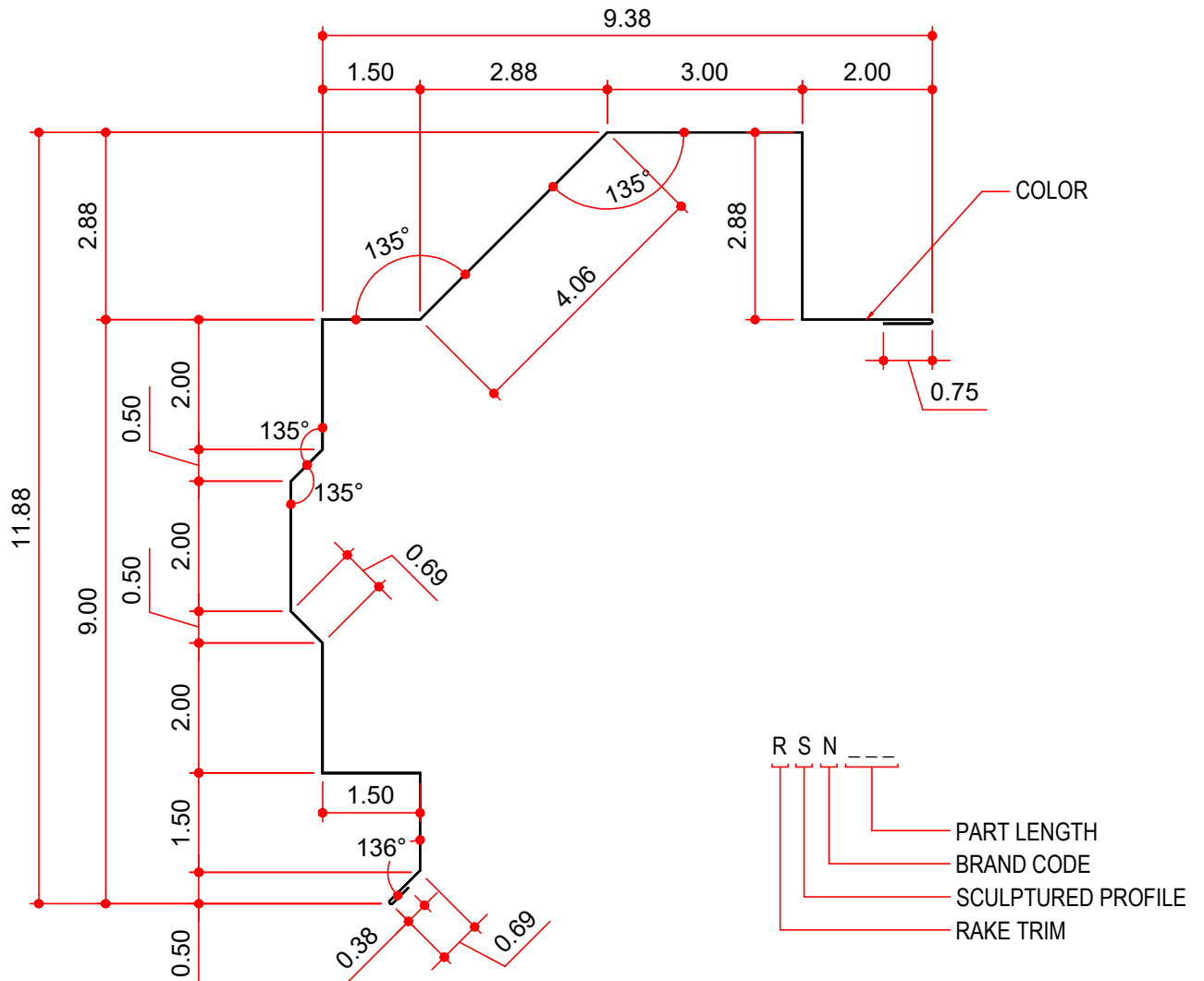


MASTER PART MARK	VIN	AVAILABLE THICKNESS	YIELD MIN.	BLANK LENGTH	BLANK WIDTH	WEIGHT (LBS)
RSN121	A	24 OR 26 GA	33 KSI	121.00	25.69	17.17
RSN242	A	24 OR 26 GA	33 KSI	242.00	25.69	34.34



NOTES:

1) ALL BENDS ARE 90° UNO

AVAILABLE COLORS

ALL STANDARD SMP & PVDF COLORS