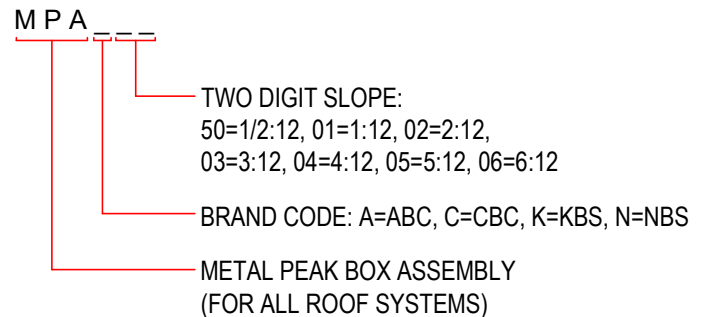
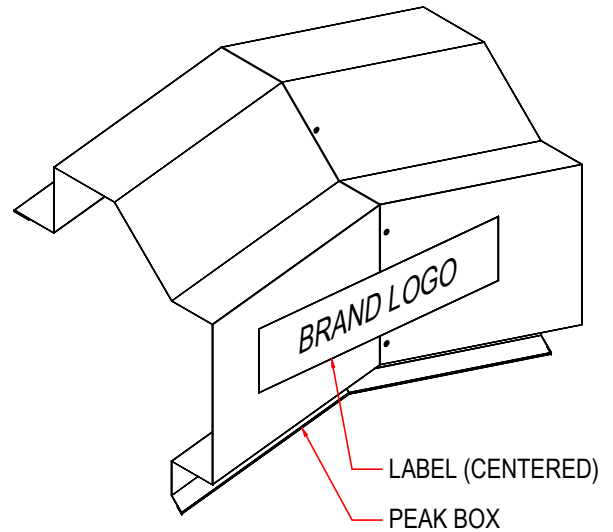


MASTER PART MARK	VIN	AVAILABLE THICKNESS	YIELD MIN.	BLANK LENGTH	BLANK WIDTH	WEIGHT (LBS)
MPA___	A	N/A	N/A	N/A	N/A	3.00

	MASTER PART	DESCRIPTION	PEAK BOX	LABEL
ABC	MPAA50	ABC < 3/4:12	MPBA50	H4090A
	MPAA01	ABC 3/4:12 - 1 1/2:12	MPBA01	H4090A
	MPAA02	ABC 1 1/2:12 - 2 1/2:12	MPBA02	H4090A
	MPAA03	ABC 2 1/2:12 - 3 1/2:12	MPBA03	H4090A
	MPAA04	ABC 3 1/2:12 - 4 1/2:12	MPBA04	H4090A
	MPAA05	ABC 4 1/2:12 - 5 1/2:12	MPBA05	H4090A
	MPAA06	ABC 5 1/2:12 - 6 1/2:12	MPBA06	H4090A
CBC	MPAC50	CBC < 3/4:12	MPBC50	H4090C
	MPAC01	CBC 3/4:12 - 1 1/2:12	MPBC01	H4090C
	MPAC02	CBC 1 1/2:12 - 2 1/2:12	MPBC02	H4090C
	MPAC03	CBC 2 1/2:12 - 3 1/2:12	MPBC03	H4090C
	MPAC04	CBC 3 1/2:12 - 4 1/2:12	MPBC04	H4090C
	MPAC05	CBC 4 1/2:12 - 5 1/2:12	MPBC05	H4090C
	MPAC06	CBC 5 1/2:12 - 6 1/2:12	MPBC06	H4090C
KBS	MPAK50	KBS < 3/4:12	MPBK50	H4090K
	MPAK01	KBS 3/4:12 - 1 1/2:12	MPBK01	H4090K
	MPAK02	KBS 1 1/2:12 - 2 1/2:12	MPBK02	H4090K
	MPAK03	KBS 2 1/2:12 - 3 1/2:12	MPBK03	H4090K
	MPAK04	KBS 3 1/2:12 - 4 1/2:12	MPBK04	H4090K
	MPAK05	KBS 4 1/2:12 - 5 1/2:12	MPBK05	H4090K
	MPAK06	KBS 5 1/2:12 - 6 1/2:12	MPBK06	H4090K
NBS	MPAN50	NBS < 3/4:12	MPBN50	H4090N
	MPAN01	NBS 3/4:12 - 1 1/2:12	MPBN01	H4090N
	MPAN02	NBS 1 1/2:12 - 2 1/2:12	MPBN02	H4090N
	MPAN03	NBS 2 1/2:12 - 3 1/2:12	MPBN03	H4090N
	MPAN04	NBS 3 1/2:12 - 4 1/2:12	MPBN04	H4090N
	MPAN05	NBS 4 1/2:12 - 5 1/2:12	MPBN05	H4090N
	MPAN06	NBS 5 1/2:12 - 6 1/2:12	MPBN06	H4090N



NOTES:

1) THIS IS THE METAL PEAK BOX WITH THE BRAND LOGO LABEL APPLIED.

AVAILABLE COLORS

PW