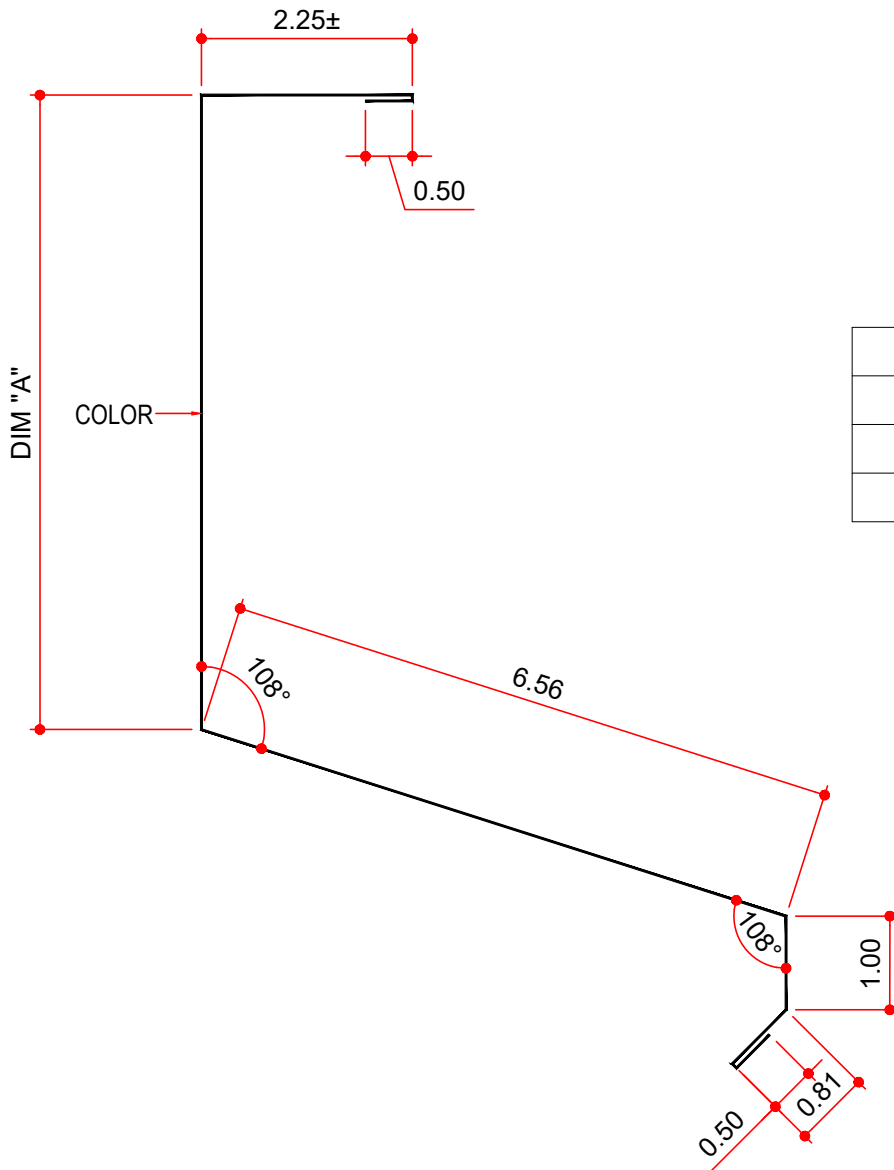


MASTER PART MARK	VIN	AVAILABLE THICKNESS	YIELD MIN.	BLANK LENGTH	BLANK WIDTH	WEIGHT (LBS)
LPCST8121	A	26 or 24 GA.	33 KSI	121.00	18.31	12.24
LPCST9121	A	26 or 24 GA.	33 KSI	121.00	19.81	13.24
LPCST2121	A	26 or 24 GA.	33 KSI	121.00	22.31	14.92



PART	PURLIN DEPTH	DIM "A"
LPCST8121	8.00"	6.75"
LPCST9121	9.50"	8.25"
LPCST2121	12.00"	10.75"

NOTES:

1)

AVAILABLE COLORS

ALL STANDARD SMP
& PVDF COLORS