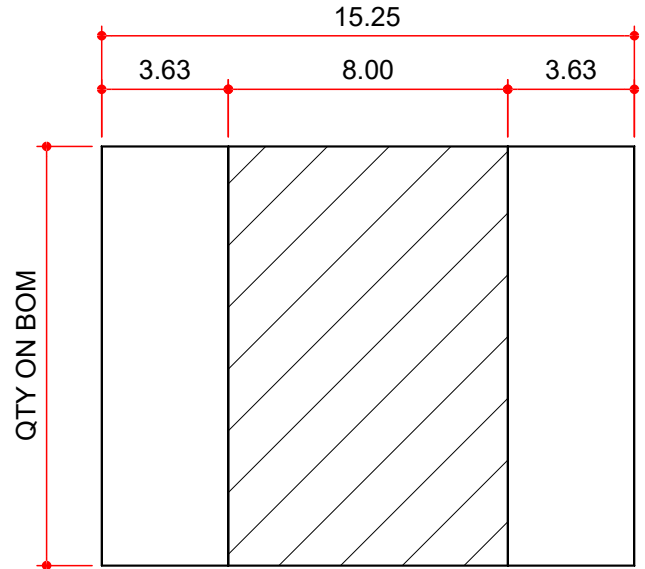
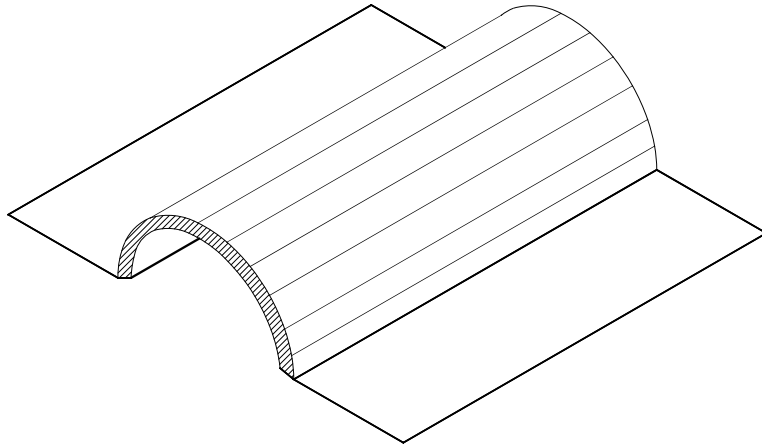


MASTER PART MARK	VIN	AVAILABLE THICKNESS	YIELD MIN.	BLANK LENGTH	BLANK WIDTH	WEIGHT (LBS)
H3551	C	N/A	N/A	12.00	15.25	1.00



NOTES:

- 1) QUANTITY ON BOM IS THE LENGTH OF PART TO BE SUPPLIED IN CONTINUOUS LENGTH WHENEVER POSSIBLE.
- 2) IF LENGTH IS LESS THAN A FULL ROLL, PRODUCTION MUST ALSO PACK A SPLICE KIT.

AVAILABLE COLORS

NP