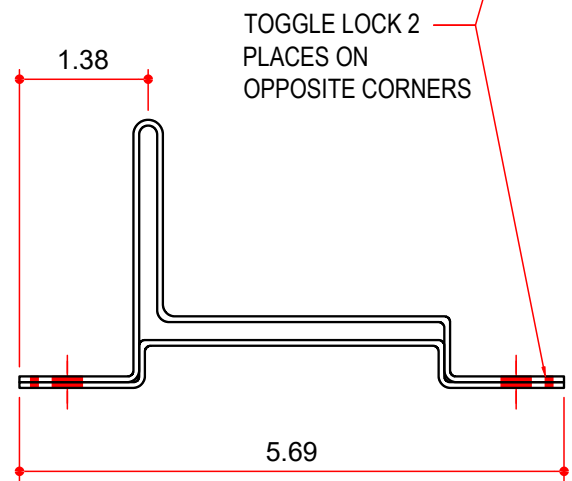
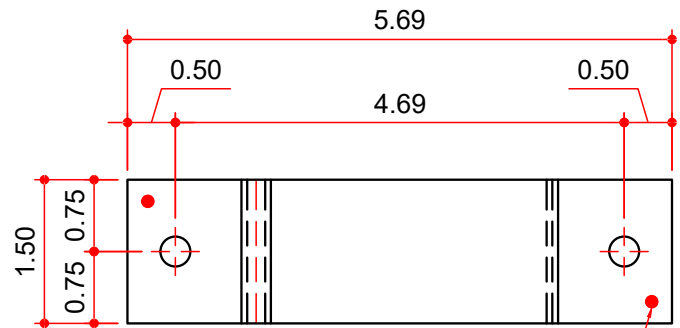
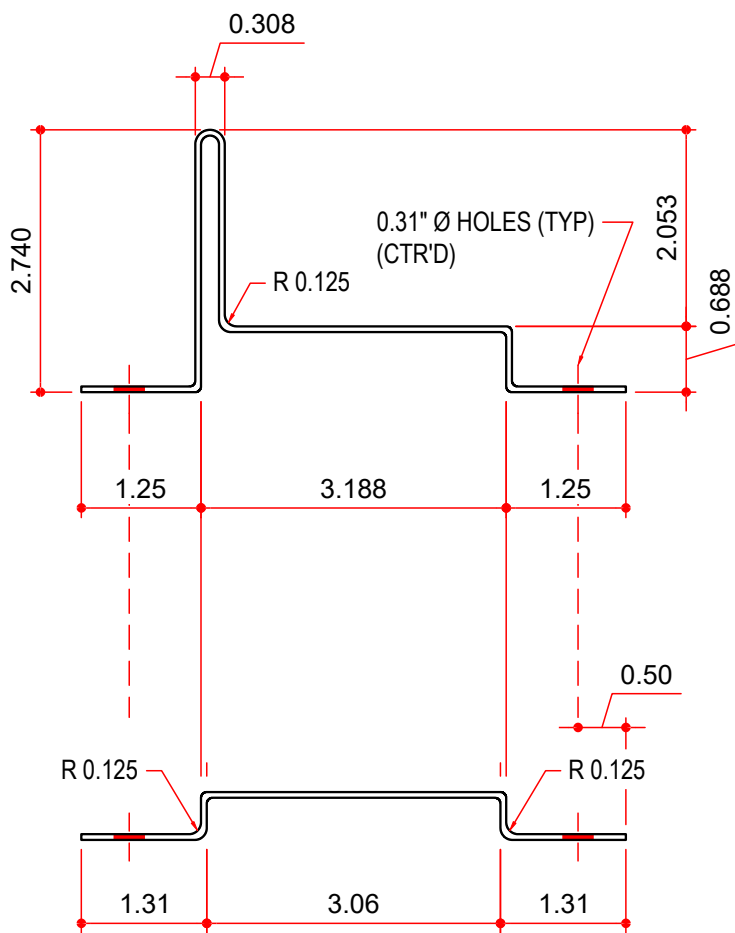


MASTER PART MARK	VIN	AVAILABLE THICKNESS	YIELD MIN.	BLANK LENGTH	BLANK WIDTH	WEIGHT (LBS)
H2041	C	0.060	33 KSI	N/A	1.50	0.46

NOTE:

MANUFACTURING TOLERANCE: ± 0.025

INSIDE RADII U.N.O.: 0.060



NOTES: **BUYOUT**

1) ALL BENDS ARE 90° UNO

AVAILABLE COLORS

NP