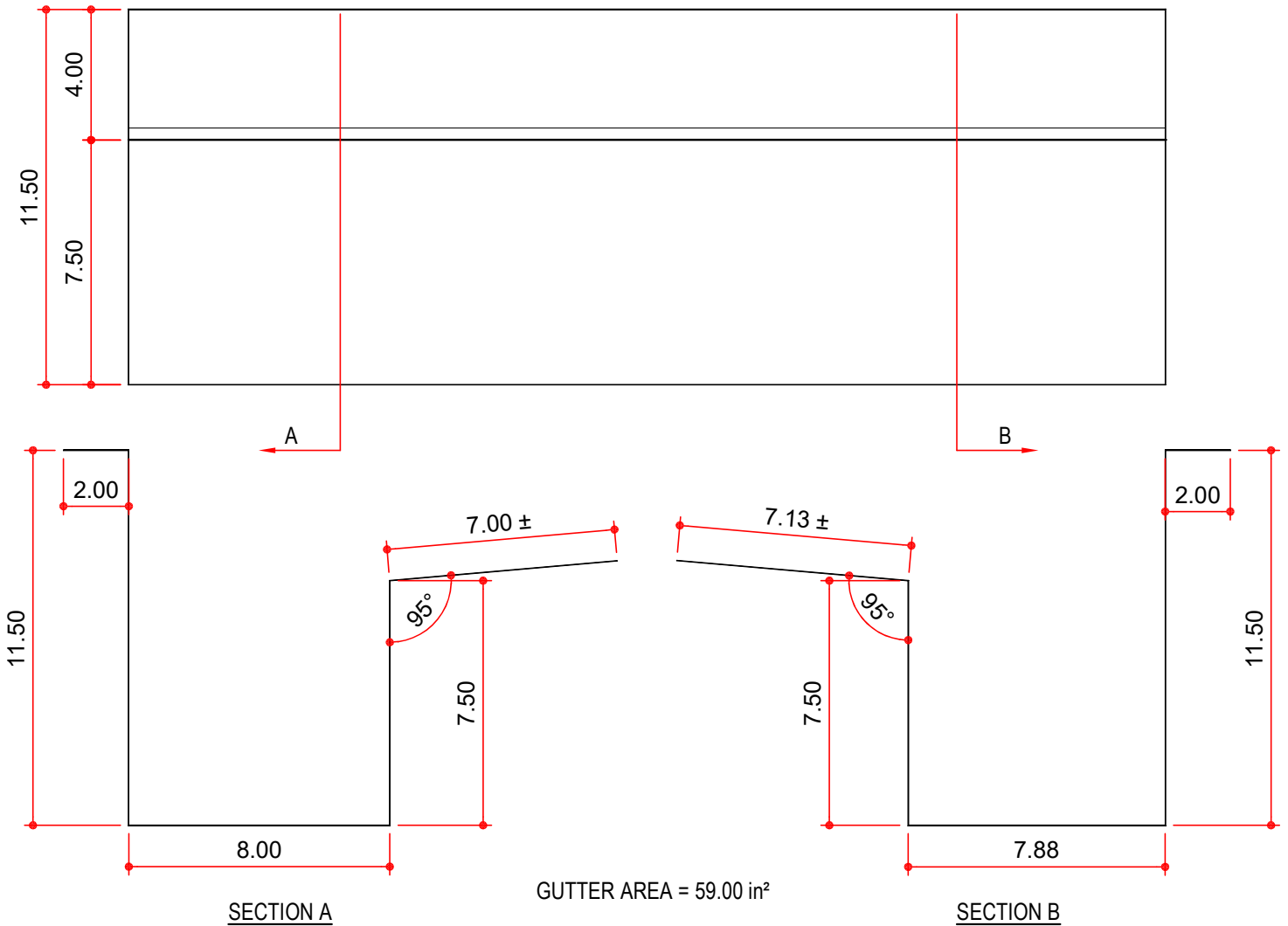


MASTER PART MARK	VIN	AVAILABLE THICKNESS	YIELD MIN.	BLANK LENGTH	BLANK WIDTH	WEIGHT (LBS)
GPU120	A	0.060	33 KSI	120.00	36.00	73.43



NOTES:

- 1) ALL BENDS ARE 90° UNO
- 2) GUTTER IS TAPERED TO ALLOW IT TO NEST WHEN INSTALLED

AVAILABLE COLORS

GZ