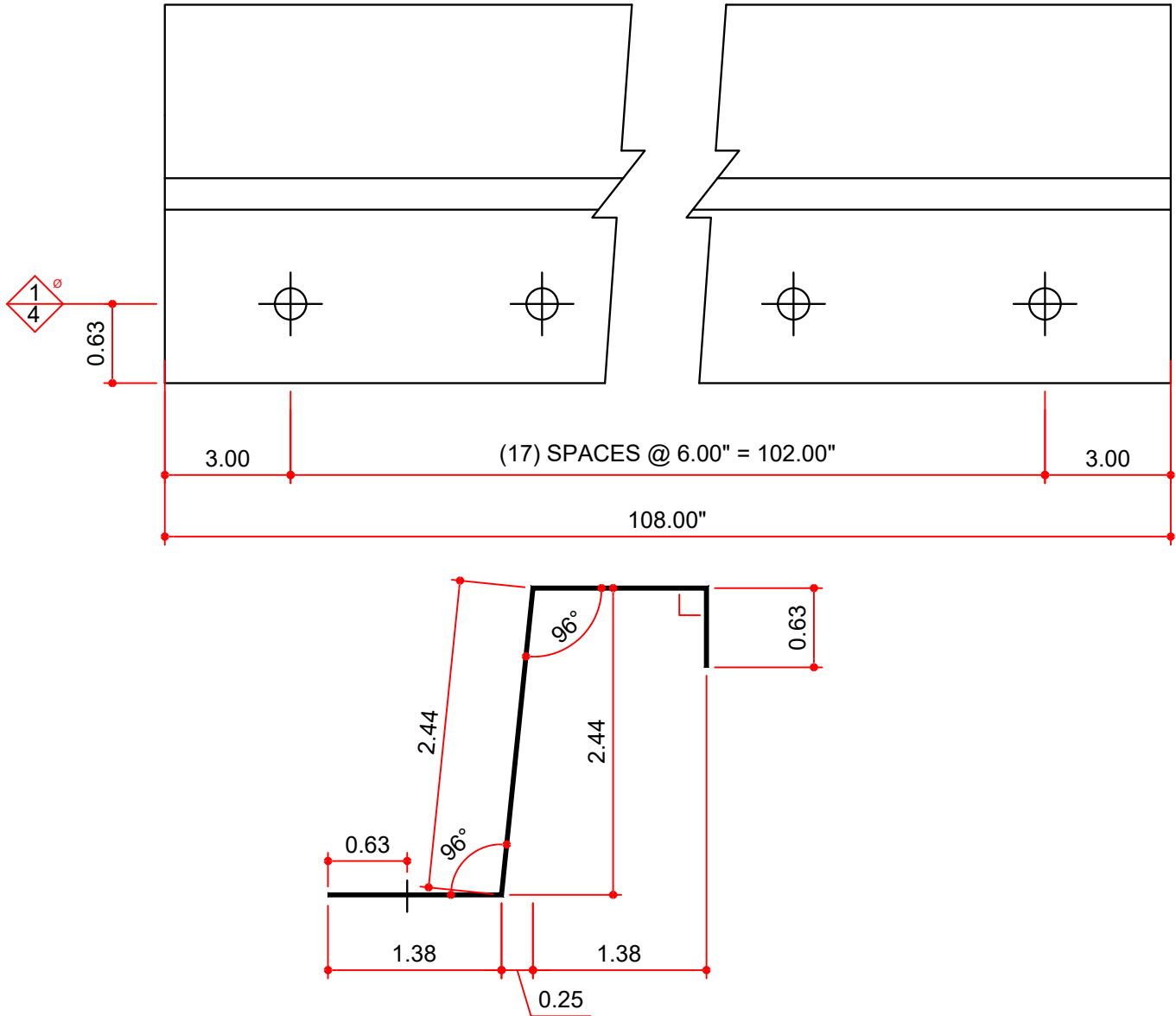


MASTER PART MARK	VIN	AVAILABLE THICKNESS	YIELD MIN.	BLANK LENGTH	BLANK WIDTH	WEIGHT (LBS)
EPX108	A	18 GA	33 KSI	108.00	5.75	9.15



NOTES:

1)

AVAILABLE COLORS

GZ