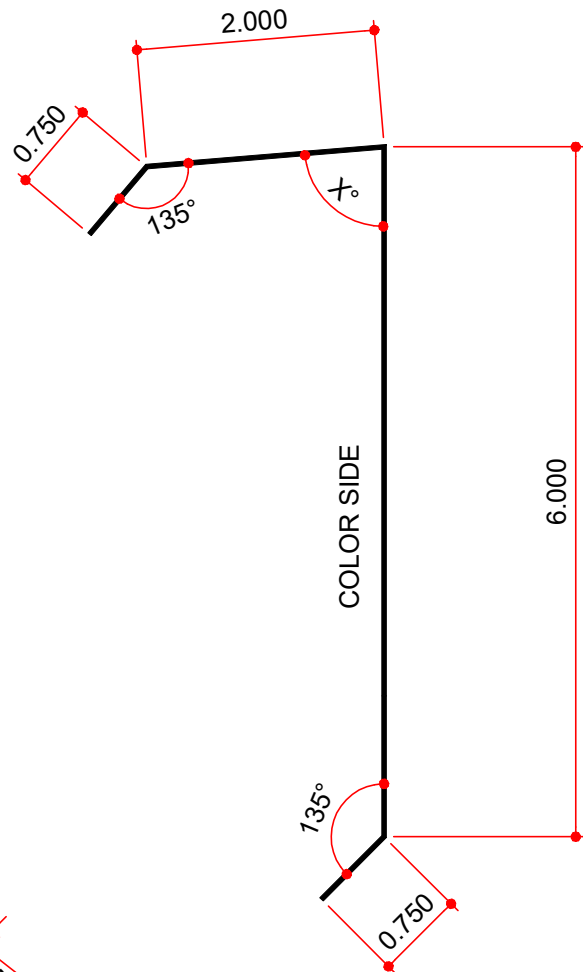
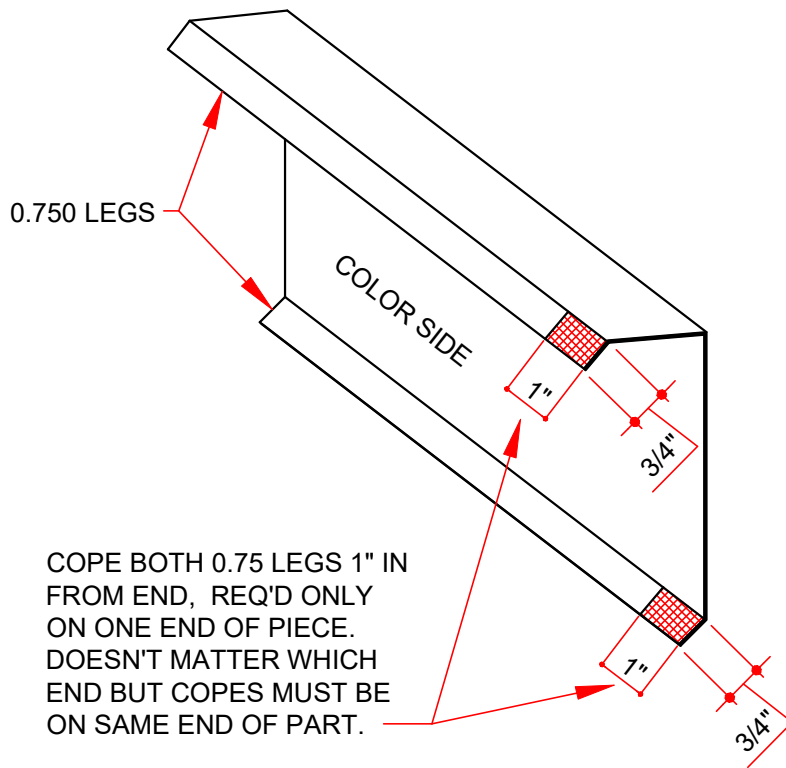


MASTER PART MARK	VIN	AVAILABLE THICKNESS	YIELD MIN.	BLANK LENGTH	BLANK WIDTH	WEIGHT (LBS)
EPM_120	A	18 GA	33 KSI	120.00	9.50	16.79

MARK	SLOPE	X°
EPM1120	1:12	85°
EPM2120	2:12	80°
EPM3120	3:12	76°
EPM4120	4:12	72°



NOTES:

- 1) SHOP NOTE: COPE BOTH 0.75 LEGS 1" IN FROM END, REQUIRED ONLY ON ONE END OF PIECE. COPE (3/4" x 1") ALLOWS FOR BETTER LAPPING IN FIELD DUE TO THICKNESS.
- 2) GZ LENGTH WILL BE 120.00", COLORS BS AND PW CAN HAVE PART LENGTH OF 121.00"

AVAILABLE COLORS

BS, GZ, PW