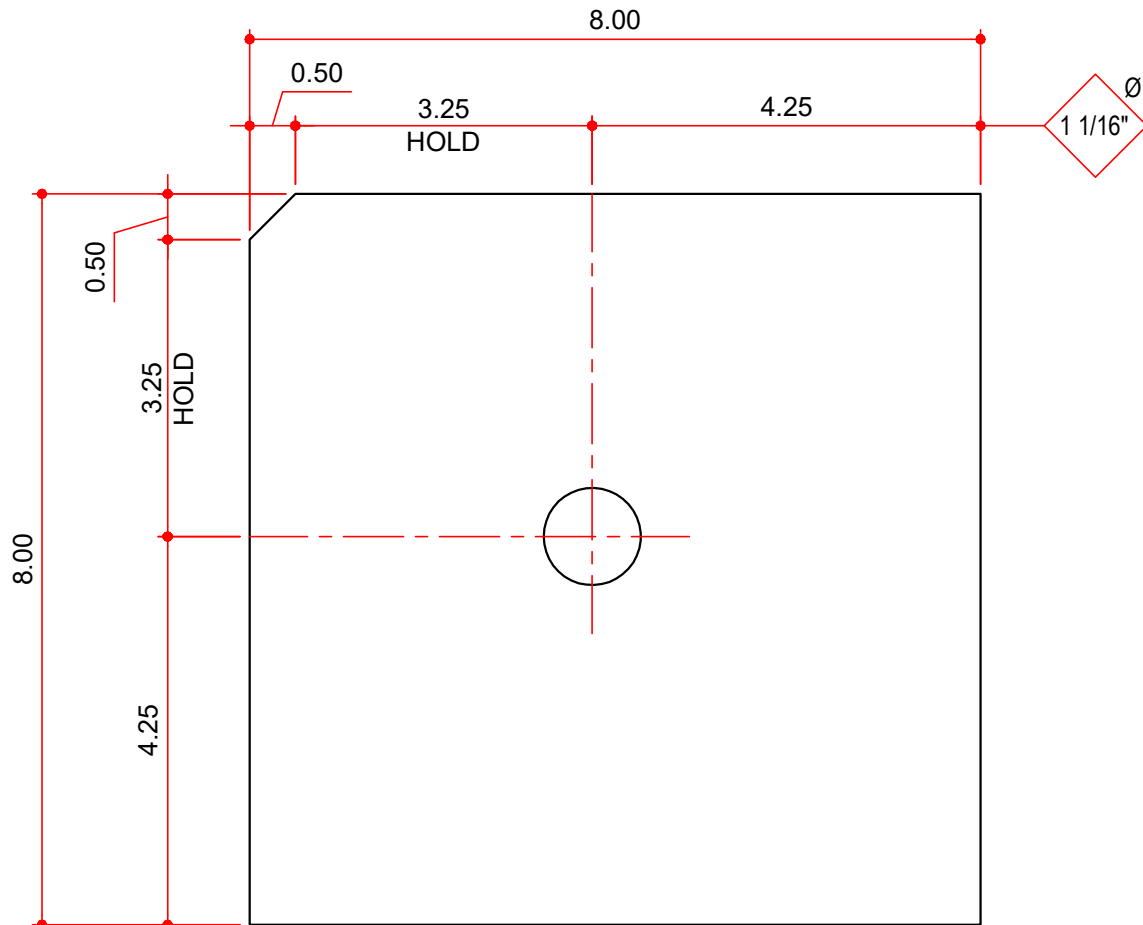


MASTER PART MARK	VIN	AVAILABLE THICKNESS	YIELD MIN.	BLANK LENGTH	BLANK WIDTH	WEIGHT (LBS)
BCP11	A	1.000	55 KSI	8.00	8.00	18.13



NOTES:

1) USED FOR DOUBLE ROD BRACING ONLY.

AVAILABLE COLORS

GP, HD, RP