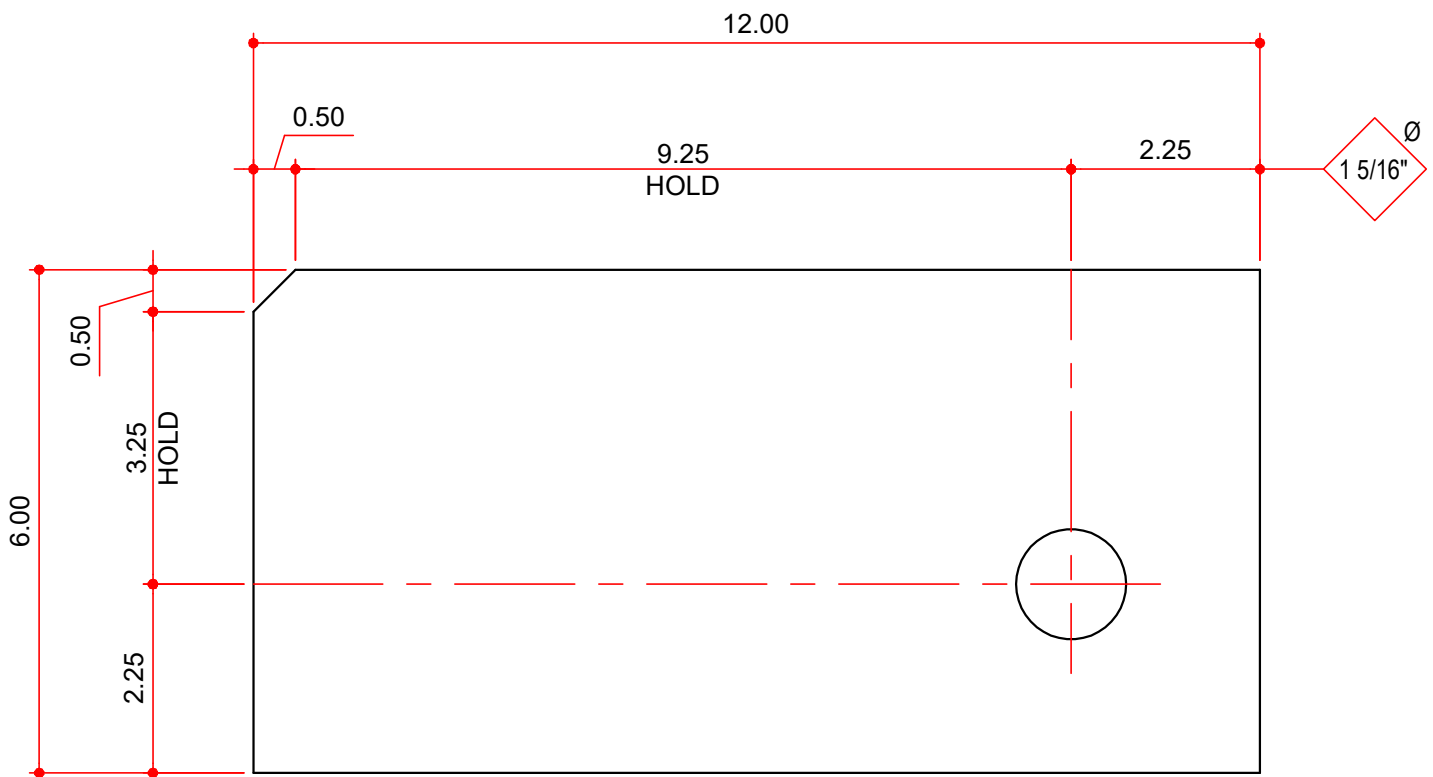


MASTER PART MARK	VIN	AVAILABLE THICKNESS	YIELD MIN.	BLANK LENGTH	BLANK WIDTH	WEIGHT (LBS)
BCH02	C	0.500	55 KSI	12.00	6.00	10.20



NOTES:

1) N/A

AVAILABLE COLORS

GP, HD, RP