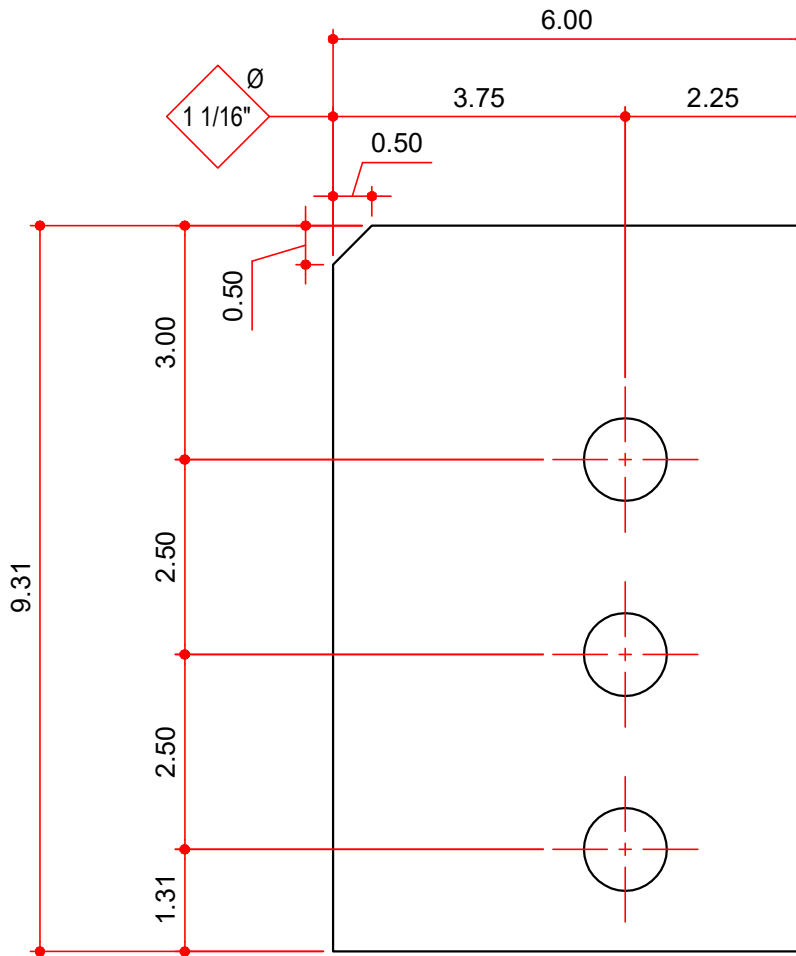


| MASTER PART MARK | VIN | AVAILABLE THICKNESS | YIELD MIN. | BLANK LENGTH | BLANK WIDTH | WEIGHT (LBS) |
|------------------|-----|---------------------|------------|--------------|-------------|--------------|
| PSC62 | A | 0.500 | 55 KSI | 9.31 | 6.00 | 7.92 |



NOTES:

1) N/A

AVAILABLE COLORS

GP, HD, RP