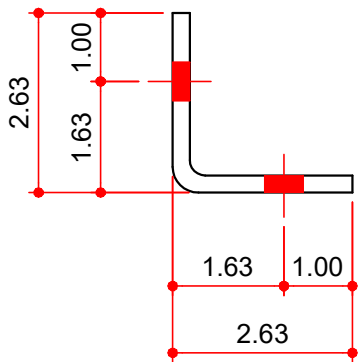
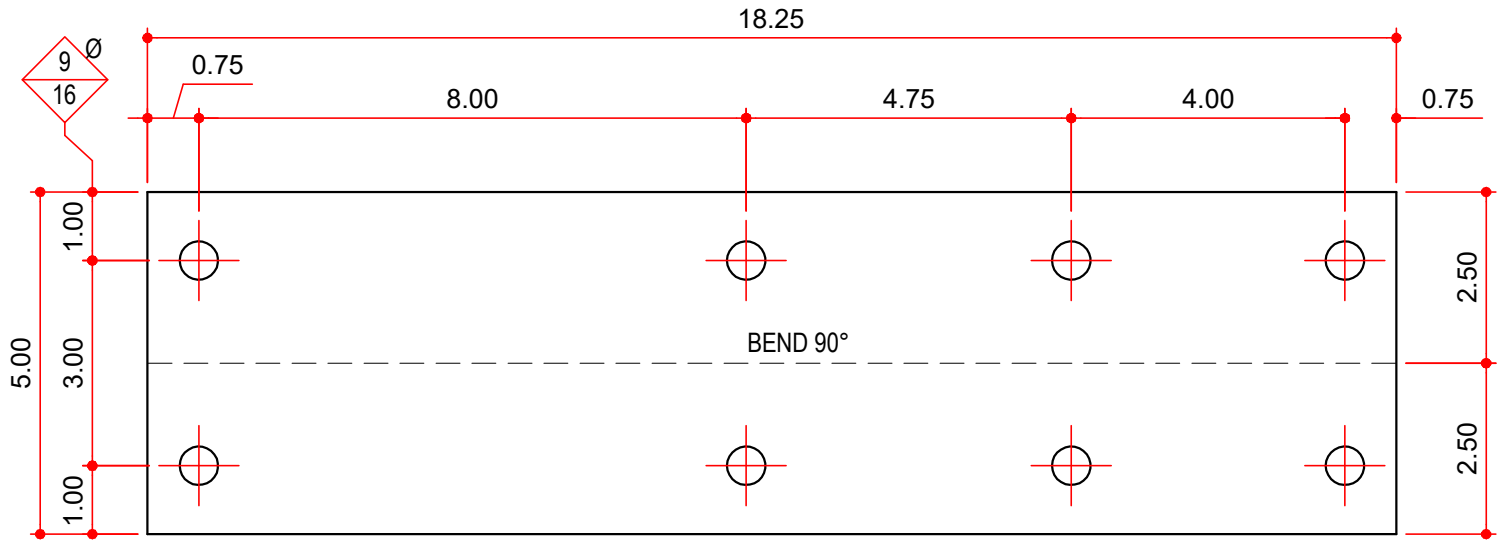


MASTER PART MARK	VIN	AVAILABLE THICKNESS	YIELD MIN.	BLANK LENGTH	BLANK WIDTH	WEIGHT (LBS)
PCC14	A	0.13	55 KSI	18.25	5.00	3.23



NOTES:

1) N/A

AVAILABLE COLORS

GP, HD, RP