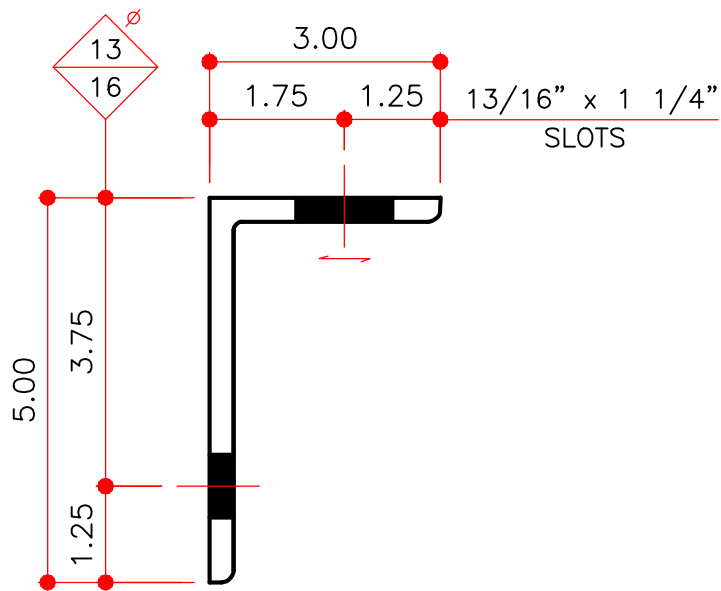
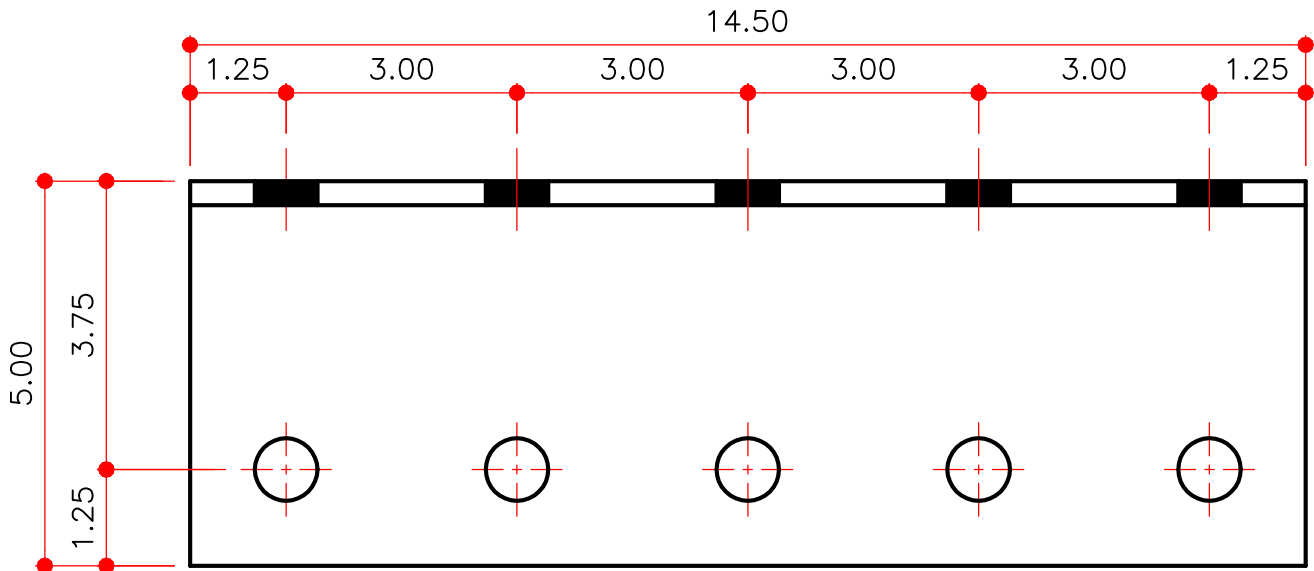


MISCELLANEOUS FRAMING ANGLE (5 HOLES)

MZH05

MASTER PART NUMBER	VINTAGE	AVAILABLE COLORS	THICKNESS	YIELD	BLANK WIDTH	BLANK LENGTH	TOTAL WEIGHT LBS	LRC
								W 07A S 07A T 07A U 07A
MZH05	B	BK,RP,GP	.313	36 KSI	3.00 X 5.00	14.500	9.91	

TERRELL SHOP NOTE: When this part is made from flat stock, gage needs to be 5" and material width needs to be 8 1/8" to allow for bend.



SUB-UNIT PART NUMBERS	AVAILABLE COLORS	THICKNESS	YIELD	BLANK WIDTH	BLANK LENGTH	SUB-UNIT PART WEIGHT LBS
(5) H0220	BK	NA	NA	NA	NA	NA
NA	NA	NA	NA	NA	NA	NA
NA	NA	NA	NA	NA	NA	NA