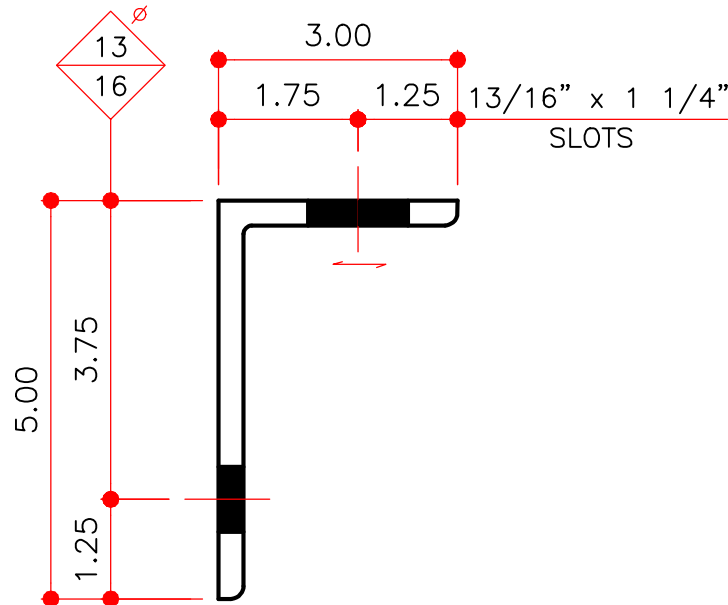
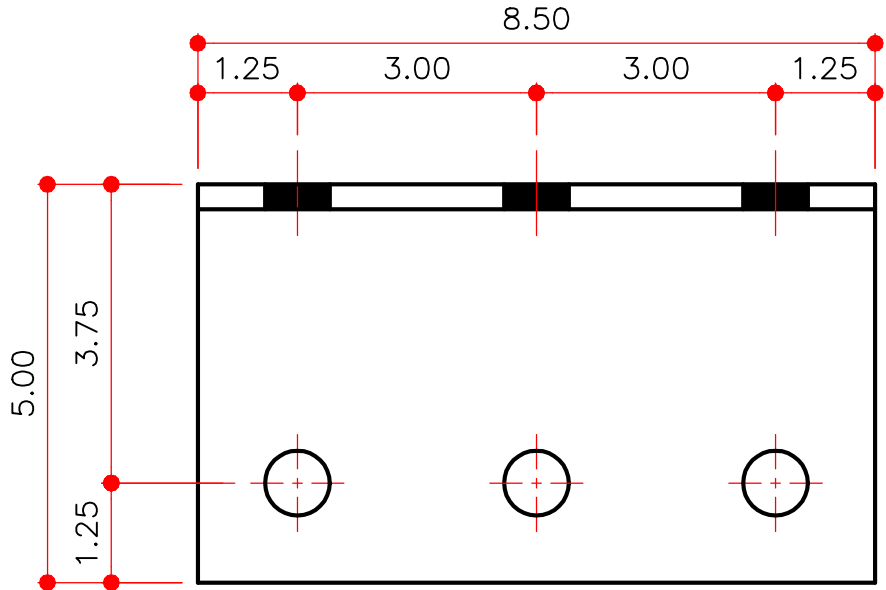


# MISCELLANEOUS FRAMING ANGLE (3 HOLES)

MZH03

MASTER PART NUMBER	VINTAGE	AVAILABLE COLORS	THICKNESS	YIELD	BLANK WIDTH	BLANK LENGTH	TOTAL WEIGHT LBS	LRC
								W 07A S 07A T 07A U 07A
MZH03	B	BK,RP,GP	.313	36 KSI	3.00 X 5.00	8.500	5.81	

TERRELL SHOP NOTE: When this part is made from flat stock, gage needs to be 5" and material width needs to be 8 1/8" to allow for bend.



SUB-UNIT PART NUMBERS	AVAILABLE COLORS	THICKNESS	YIELD	BLANK WIDTH	BLANK LENGTH	SUB-UNIT PART WEIGHT LBS
(3) H0220	BK	NA	NA	NA	NA	NA
NA	NA	NA	NA	NA	NA	NA
NA	NA	NA	NA	NA	NA	NA