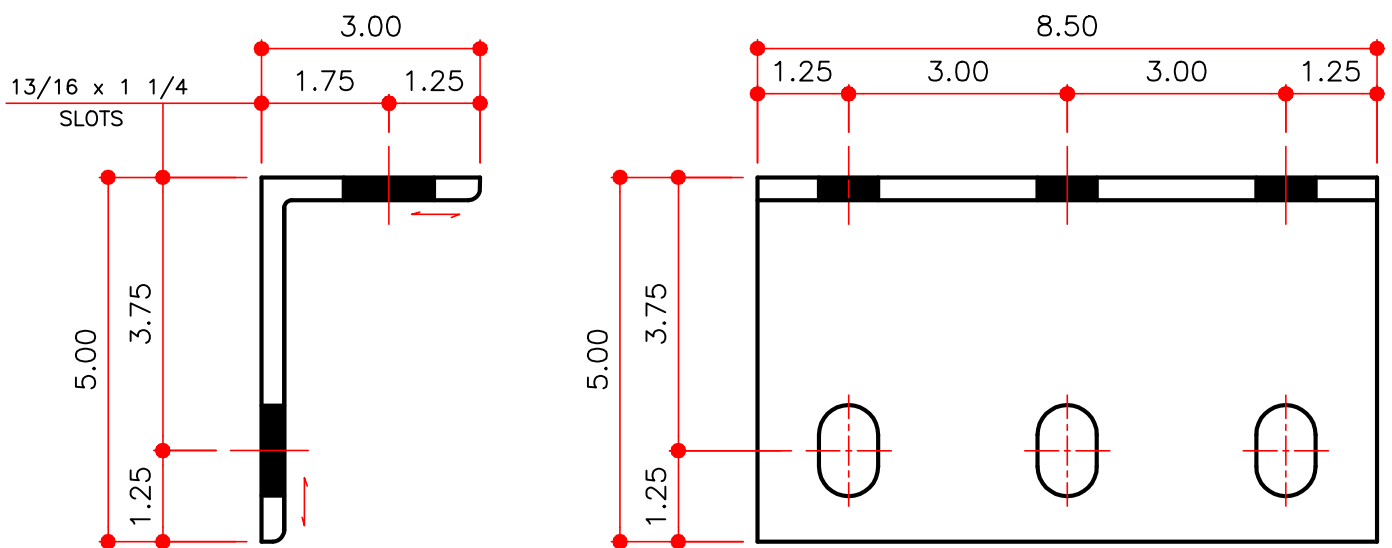


# MEZZANINE FRAMING ANGLE (3 SLOTS)

MZB03

MASTER PART NUMBER	VINTAGE	AVAILABLE COLORS	THICKNESS	YIELD	BLANK WIDTH	BLANK LENGTH	TOTAL WEIGHT LBS	LRC
MZB03	B	BK,RP,GP	.313	36 KSI	3.00X5.00	8.500	5.81	W 07A S 07A T 07A U 07A

TERRELL SHOP NOTE: When this part is made from flat stock, gage needs to be 5". When run from flat stock, material width needs to be 8 1/8" to allow for bend.



SUB-UNIT PART NUMBERS	AVAILABLE COLORS	THICKNESS	YIELD	BLANK WIDTH	BLANK LENGTH	SUB-UNIT PART WEIGHT LBS
(6) H0220	NA	NA	NA	NA	NA	NA
NA	NA	NA	NA	NA	NA	NA
NA	NA	NA	NA	NA	NA	NA

BY: RJF | CHK: EGB | ENG: - | BUY-OUT PART: NO | LAST REVISION DATE: 07-28-03 | PAGE NUMBER: SP - H.2.0