

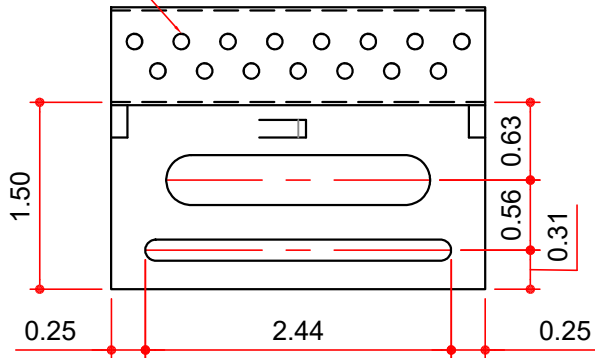
MASTER PART MARK	VIN	AVAILABLE THICKNESS	YIELD MIN.	BLANK LENGTH	BLANK WIDTH	WEIGHT (LBS)
LSEC-2T	B	N/A	50 KSI	N/A	N/A	0.31

MATERIAL:

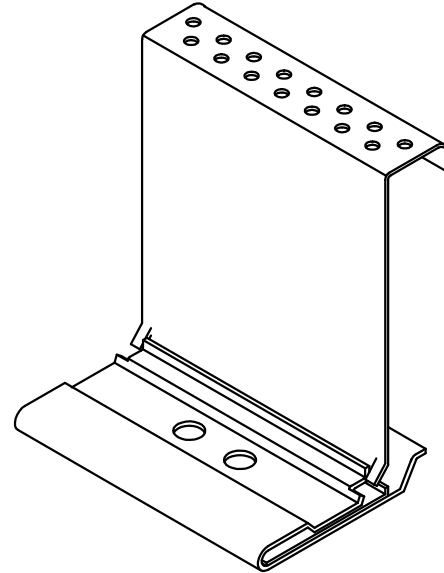
CLIP TAB: G-90 GALVANIZED STEEL (PER ASTM A-653) 50 KSI MIN YLD. 0.026 THICK

CLIP BASE: G-90 GALVANIZED STEEL (PER ASTM A-653) 50 KSI MIN YLD. 0.048 THICK

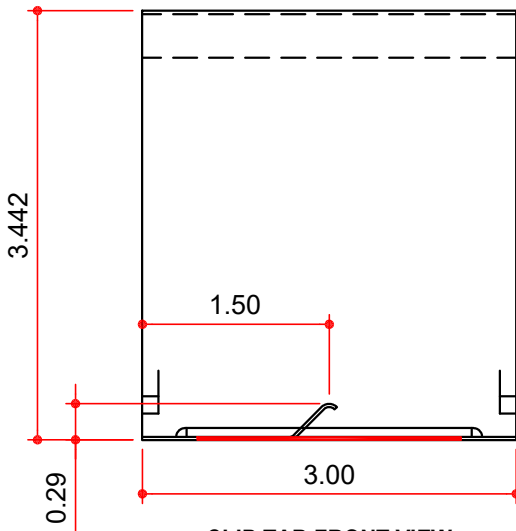
1/8"Ø HOLES



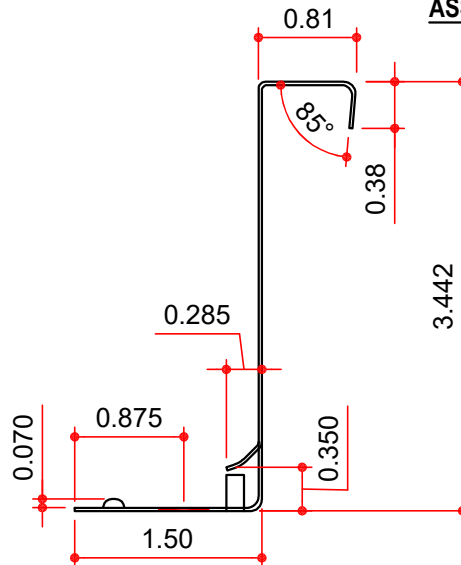
CLIP TAB TOP VIEW



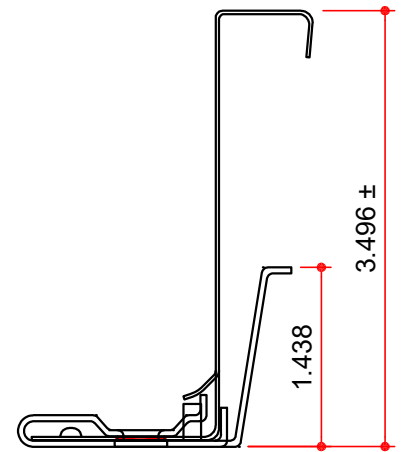
ASSEMBLED ISOMETRIC



CLIP TAB FRONT VIEW



CLIP TAB END VIEW



ASSEMBLED END VIEW

NOTES: BUYOUT

1) CLIP TAB TO BASE ASSEMBLY IS A SLIDING FIT.

AVAILABLE COLORS

NP