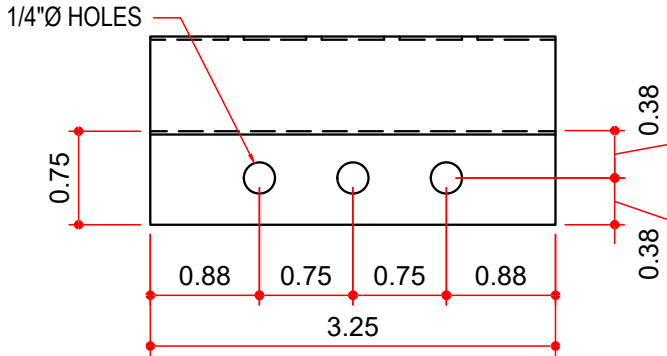


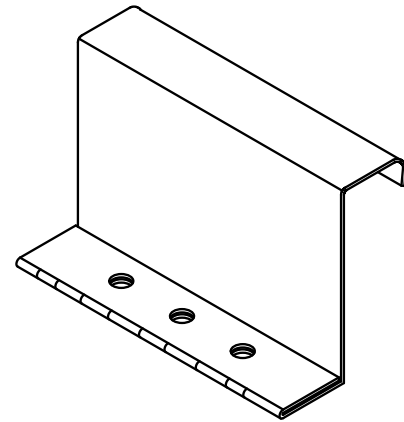
MASTER PART MARK	VIN	AVAILABLE THICKNESS	YIELD MIN.	BLANK LENGTH	BLANK WIDTH	WEIGHT (LBS)
H4550	A	0.034	50 KSI	N/A	N/A	0.12

MATERIAL:

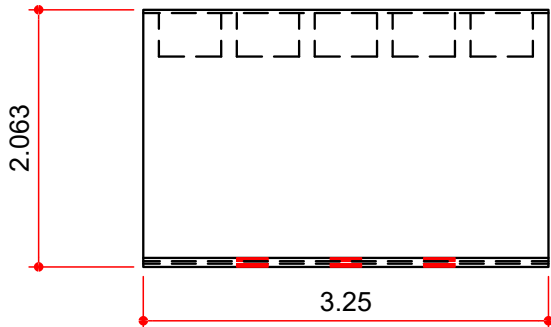
CLIP: G-90 GALVANIZED STEEL (PER ASTM A-653) 50 KSI MIN YLD. 0.034 THICK



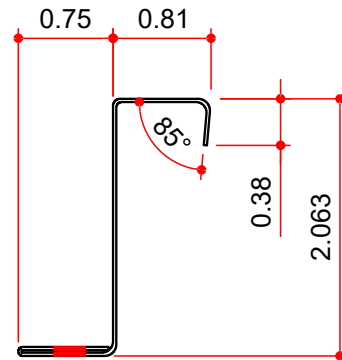
CLIP TOP VIEW



ISOMETRIC



CLIP FRONT VIEW



CLIP END VIEW

NOTES: **BUYOUT**

1) CLIP IS FIXED CLIP.

AVAILABLE COLORS

NP