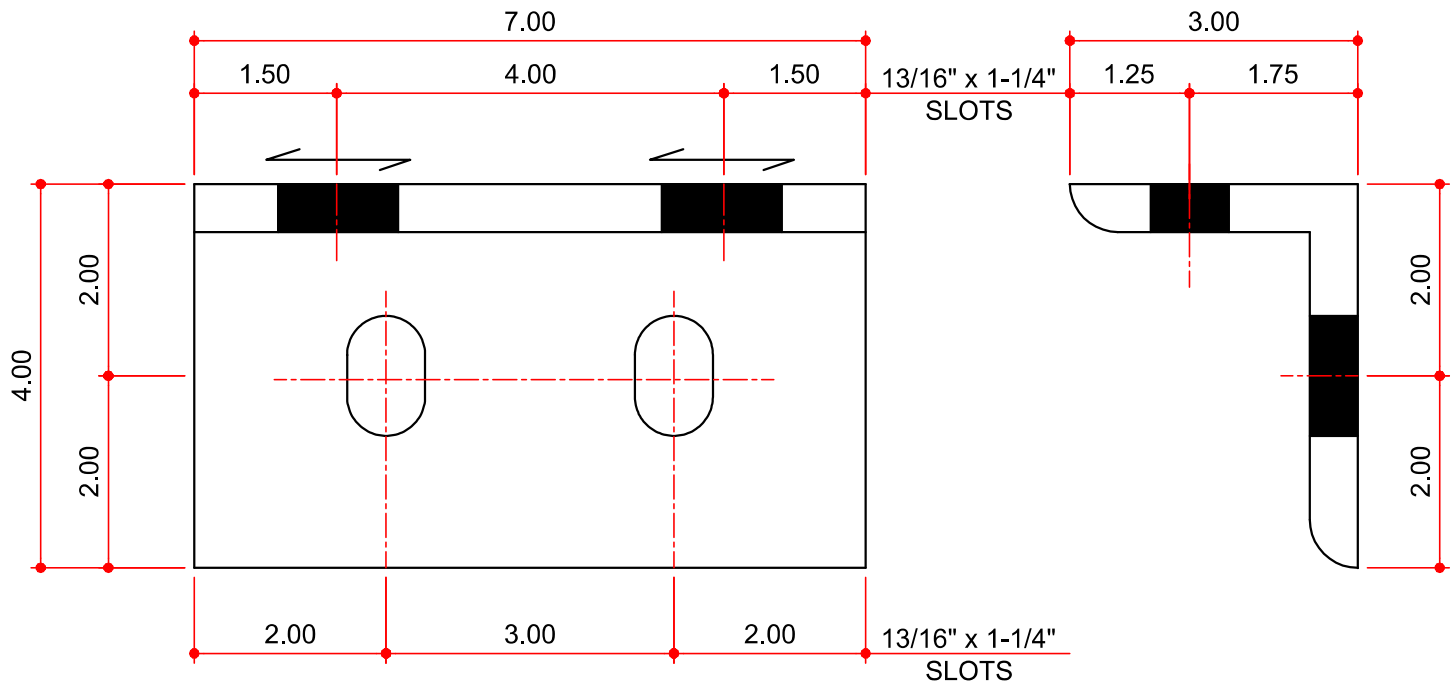


MASTER PART MARK	VIN	AVAILABLE THICKNESS	YIELD MIN.	BLANK LENGTH	BLANK WIDTH	WEIGHT (LBS)
CBC01	D	0.50	36 KSI	7.00	4.00 X 3.00	6.48
SUB PART MARK	VIN	AVAILABLE THICKNESS	YIELD MIN.	BLANK LENGTH	BLANK WIDTH	WEIGHT (LBS)
(4) H0220	A	NA	NA	NA	NA	NA



**NOTES:**

- 1) THIS CLIP IS UTILIZED AT THE STANDARD TIE-BACK CONNECTION.
- 2) THE SLOTS THAT ARE 3" APART BOLT TO THE COLUMN FLANGE.
- 3) THE SLOTS THAT ARE 4" APART BOLT TO THE CRANE BEAM.
- 4) REFERENCE DETAIL AH0160.

**AVAILABLE COLORS**

GP, HD, NP, RP