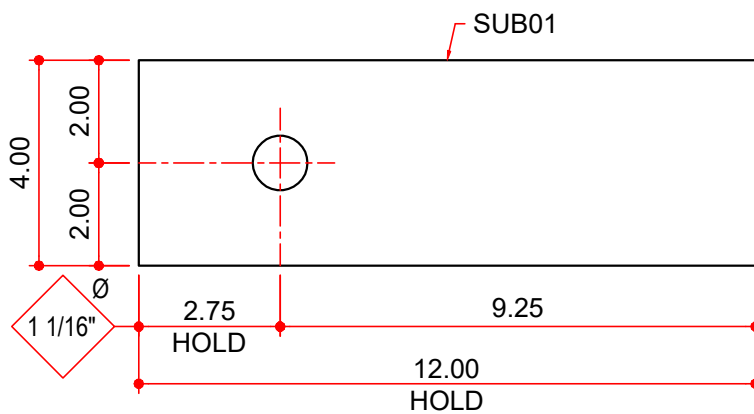
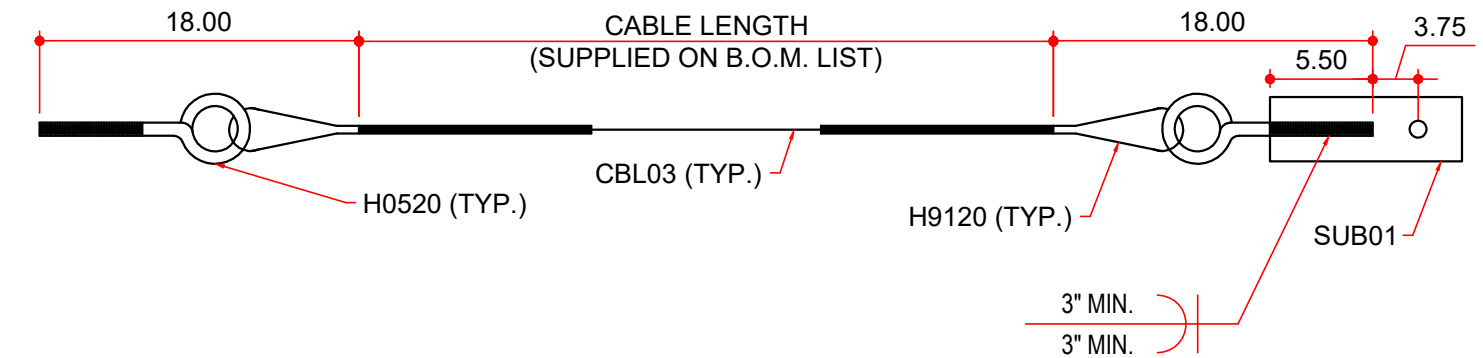
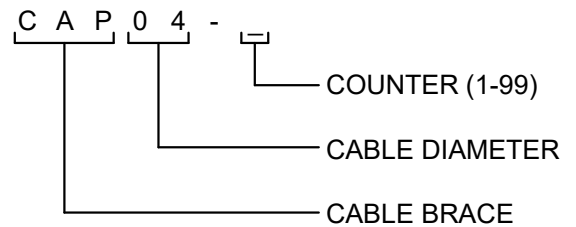


MASTER PART MARK	VIN	AVAILABLE THICKNESS	YIELD MIN.	BLANK LENGTH	BLANK WIDTH	WEIGHT (LBS)
CAP04-	C	0.500	N/A	VARIES	N/A	VARIES
SUB PART MARK	VIN	AVAILABLE THICKNESS	YIELD MIN.	BLANK LENGTH	BLANK WIDTH	WEIGHT (LBS)
CBL03	N/A	0.500 Ø	N/A	N/A	N/A	N/A
(2) H0520	N/A	0.875 Ø	N/A	N/A	N/A	N/A
(2) H9120	N/A	0.500 Ø	N/A	N/A	N/A	N/A
SUB01	N/A	0.150 MINIMUM	50 KSI	12.00	4.00	3.40



PART DESCRIPTION



NOTES:

- 1) SUB01 CAN BE MADE FROM WEB SCRAP/COIL.
- 2) ALL WELDS PER AWS STANDARDS.

AVAILABLE COLORS

- CBL03 - GZ
- H0520 - GZ
- H9120 - GZ
- SUB01 - GP,HD,RP