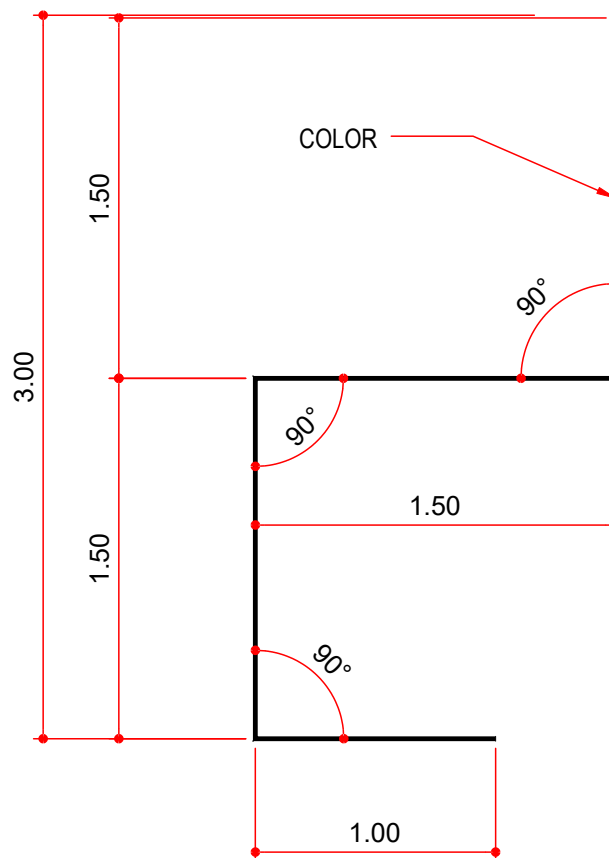


MASTER PART MARK	VIN	AVAILABLE THICKNESS	YIELD MIN.	BLANK LENGTH	BLANK WIDTH	WEIGHT (LBS)
BSF121	A	24 OR 26 GA	33 KSI	121.00	5.50	3.68



NOTES:

1) N/A

AVAILABLE COLORS

ALL STANDARD SMP
& PVDF COLORS