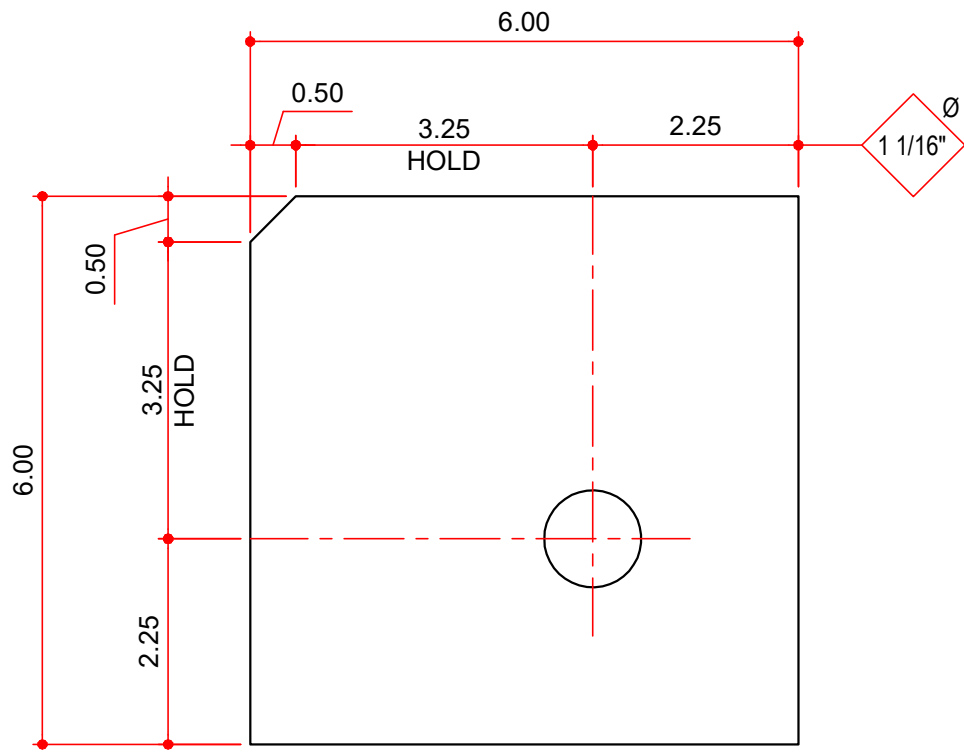


MASTER PART MARK	VIN	AVAILABLE THICKNESS	YIELD MIN.	BLANK LENGTH	BLANK WIDTH	WEIGHT (LBS)
BCP01	C	0.500	55 KSI	6.00	6.00	5.10



<p>NOTES: 1) N/A</p>	<p>AVAILABLE COLORS GP, HD, RP</p>
--------------------------	--